

SPRINGS AND SHOCK ABSORBERS GROUP

PAGE 301



FROM PAGE 301 THRU 316

INDEX OF ILLUSTRATIONS IN SPRING AND SHOCK ABSORBER GROUP

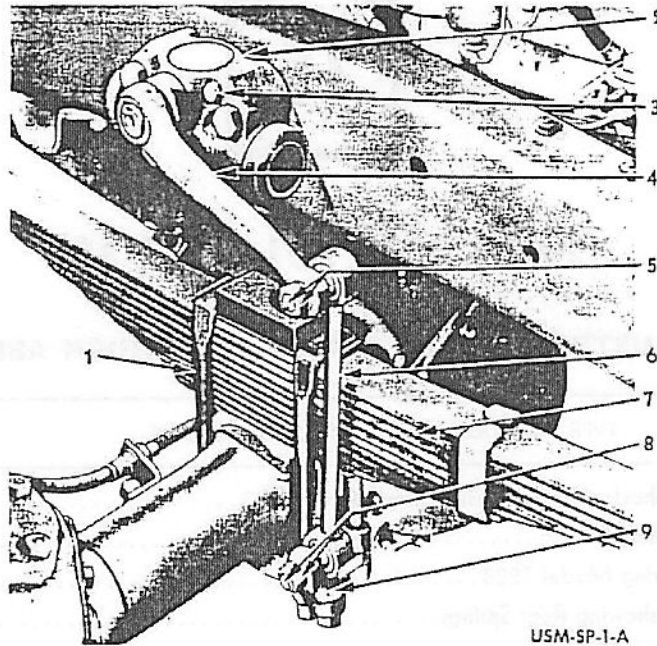
TYPE AND DESCRIPTION OF ILLUSTRATIONS	PAGE
View of Front Spring and Shock Absorber Installation Model T223	302
Exploded View of Front Spring.....	302
Exploded View of Rear Spring Model T223	303
Underside View of Chassis showing Rear Springs.....	313
Sectional View of Rear Spring Shackle.....	316
Exploded View of Shock Absorber.....	316

INDEX OF SPRING AND SHOCK ABSORBER SUB-GROUPS

NO. SUB-GROUP	PARTS IN SUB-GROUP	PAGE
1601	Front Springs and parts.....	304
	Rear Springs and parts.....	305
	Front and Rear Spring Leaves and Clips.....	306-307
	Front and Rear Spring Covers and parts.....	308-309
	Rear Spring Axle Bumper parts.....	310
1602	Front Spring Shackle Bushing and parts.....	310-311
	Rear Spring Trunnion Bracket Torque Link and parts.....	312-313
1603	Front and Rear Shock Absorbers and parts.....	314-315-316

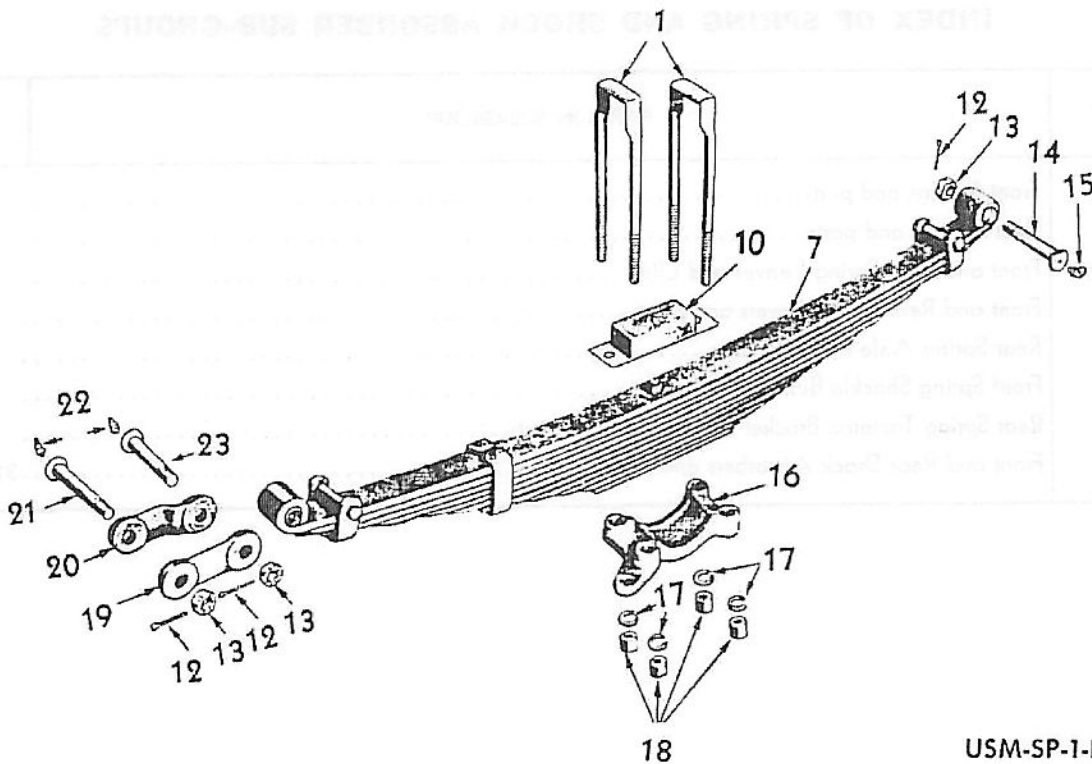
SPRINGS AND SHOCK ABSORBERS—GROUP 16

CLOSE UP VIEW OF FRONT SPRING AND SHOCK ABSORBER INSTALLATION
MODEL T-223



USM-SP-1-A

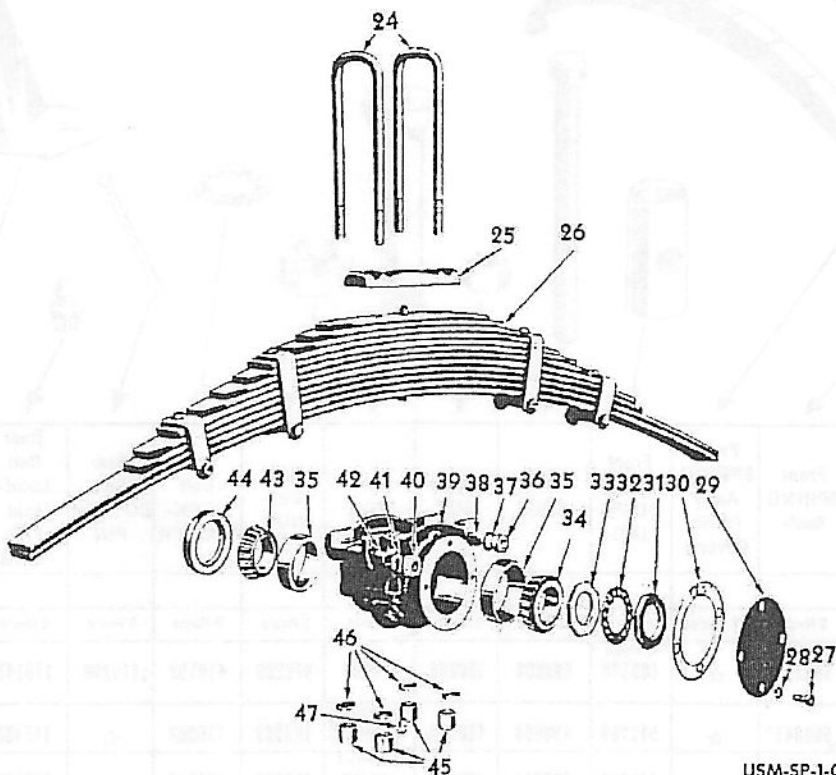
EXPLODED VIEW OF FRONT SPRING



USM-SP-1-B

SPRINGS AND SHOCK ABSORBERS—GROUP 16

EXPLODED VIEW OF REAR SPRING
MODEL T-223



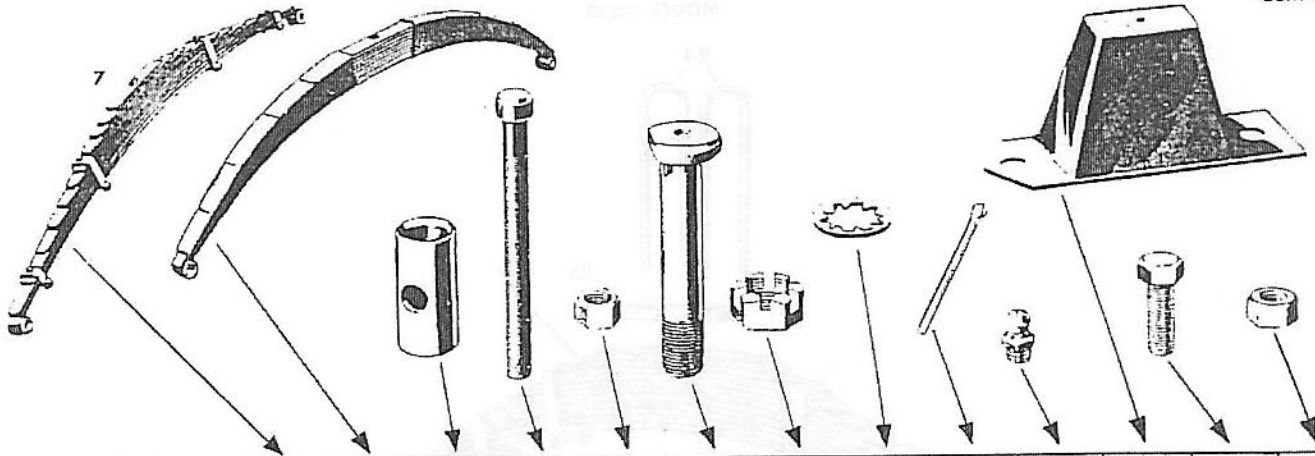
INDEX OF PARTS ILLUSTRATED ON PAGES 302 AND 303

REF. NO.	NAME OF PART	PAGE NO.	REF. NO.	NAME OF PART	PAGE NO.
1	Front Spring CLIP.....	306	24	Rear Spring CLIP.....	307
2	Front Spring SHOCK ABSORBER Assy.....	314	25	Rear Spring Clip SEAT.....	307
3	Front Spring Shock Absorber Filler PLUG.....		26	Rear SPRING ASSEMBLY.....	305
Serviced with Shock Absorber		27	Rear Spring Trunnion Housing Cover SCREW.....	312
4	Front Spring Shock Absorber ARM.....		28	Rear Spring Trunnion Housing Cover Screw LOCKWASHER.....	312
Serviced with Shock Absorber		29	Rear Spring Trunnion Housing COVER.....	313
5-8	Front Spring Shock Absorber Link Rod Ball STUD & NUT.....	314	30	Rear Spring Trunnion Housing Cover GASKET.....	313
6	Front Spring Shock Absorber LINK.....	314	31	Rear Spring Trunnion Bearing Adjusting NUT (Outer).....	312
7	Front SPRING ASSEMBLY.....	304	32	Rear Spring Trunnion Bearing Adjusting Nut LOCK.....	312
9	Front Spring Shock Absorber Link Rod Eye BOLT.....	314	33	Rear Spring Trunnion Bearing Adjusting NUT (Inner).....	312
10	Front Spring BUMPER Assy.....	309	34	Rear Spring Trunnion Bearing CONE & ROLLERS (Outer).....	312
12	Front Spring Eye Bolt Nut COTTER PIN.....	311	35	Rear Spring Trunnion Bearing CUP (Inner & Outer).....	312
13	Front Spring Eye Bolt NUT.....	315		(also serviced in trunnion housing & cup assembly)	
14	Front Spring Eye BOLT.....	314	36-40	Rear Spring Trunnion Clamp Stud NUT.....	312
15	Front Spring Lubricating FITTING.....	304	37-41	Rear Spring Trunnion Clamp Stud LOCKWASHER.....	312
16	Front Spring Clip PLATE.....	306	38-42	Rear Spring Trunnion Clamp STUD.....	312
17	Front Spring Clip Plate LOCKWASHER.....	307	39	Rear Spring Trunnion HOUSING & CUP Assy.....	312
18	Front Spring Clip NUT.....	307	43	Rear Spring Trunnion Bearing CONE & ROLLERS (Inner).....	312
19	Front Spring SHACKLE (Outer).....	311	44	Trunnion Bearing Housing Oil SEAL Assy.....	313
20	Front Spring SHACKLE (Inner).....	311	45	Rear Spring Clip NUT.....	307
22	Front Spring Lubricating FITTING.....	311	46	Rear Spring Clip LOCKWASHER.....	307
21 & 23	Front Spring Eye BOLT.....	311	47	Trunnion Bearing Housing Lubricant FITTING.....	313

SPRINGS AND SHOCK ABSORBERS—GROUP 16

FRONT SPRING ASSEMBLY AND PARTS—SUB-GROUP 1601

USM-SP-1



YEAR AND ENG. SYMBOL	BODY STYLES	Front SPRING Ass'y	Front SPRING Ass'y (With Covers)	Front Spring BUSHING	Center BOLT	Center NUT	Rear BOLT	Rear Bolt NUT	Rear Bolt LOCK-WASH'R	Rear Bolt COTTER PIN	Rear Bolt Lubricant FITTING	Torque ARRESTOR Ass'y	Torque Arrestor BOLT	Torque Arrestor NUT
		2 Req'd	2 Req'd	4 Req'd	2 Req'd	2 Req'd	2 Req'd	2 Req'd	2 Req'd	2 Req'd	2 Req'd	2 Req'd	4 Req'd	4 Req'd
1940 T202	ALL BODY STYLES	599368	☆	603568	593804	120368	912199	912200	618192	119209	110347	☆	☆	☆
1940 T203	ALL EXC. AMB.	588841	☆	512289	593804	120368	See Note 1 588687	120369	120382	☆	145433	☆	☆	☆
	AMBULANCE	912558	☆	512289	593804	120368	See Note 1 588687	120369	120382	☆	145433	☆	☆	☆
1941 T207	ALL EXC. AMB.	914234	☆	548104	593804	120368	589539	125267	☆	119209	110347	599372	123520	120369
	AMBULANCE	☆	916554	548104	593804	120368	589539	125267	☆	119209	110347	599372	123520	120369
1941 T211	ALL EXC. AMB. & CL CAB (NO BODY)	914234	☆	548104	593804	120368	589539	125267	☆	119209	110347	599372	123520	120369
	AMBULANCE	☆	916554	548104	593804	120368	589539	125267	☆	119209	110347	599372	123520	120369
	CL CAB (NO BODY)	920219	☆	548104	593804	120368	589539	125267	☆	119209	110347	599372	123520	120369
1941 T215	ALL EXC. AMB. & CL CAB (NO BODY)	920695	☆	548104	593804	120368	589539	125267	☆	119209	110347	599372	123520	120369
	AMBULANCE	☆	916554	548104	593804	120368	589539	125267	☆	119209	110347	599372	123520	120369
	CL CAB (NO BODY)	920219	☆	548104	593804	120368	589539	125267	☆	119209	110347	599372	123520	120369
1941 T112	ALL BODY STYLES	589892	☆	2 Req'd 603568	593804	120368	651588	☆	618192	☆	110347	☆	☆	☆
1941 T118	UP TO SERIAL NO. 81334245	595448	☆	594944	593804	120368	6 Req'd 594943	6 Req'd 125267	☆	6 Req'd 119209	6 Req'd 110347	☆	☆	☆
	AFTER SERIAL NO. 81334245	926220	☆	594944	593804	120368	6 Req'd 594943	6 Req'd 125267	☆	6 Req'd 119209	6 Req'd 110347	☆	☆	☆
1942 T214	ALL EXC. AMB.	920813	☆	564263	593805	120369	589539	125267	☆	119209	110347	921192	120647	120369
	AMBULANCE	☆	921355	564263	593805	120369	589539	125267	☆	119209	110347	921192	120647	120369
1943 T223	PERSONNEL AND CARGO	929328	☆	548104	593805	120369	589539	125267	☆	119209	110347	928058	121615	120369

☆ Not Used

☆ CURRENT NUMBER—FOR PREVIOUS NUMBER, SEE PARTS SUPERSEDEANCE LIST.

SNL G-657

NOTE 1

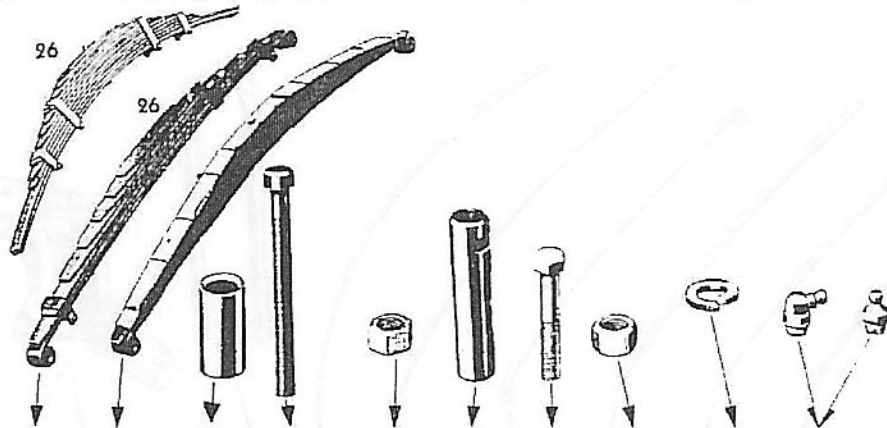
Model T203 also uses 2—697239 Front Spring Rear Lock Bolt.

A

4—120382 Lockwashers used with 120369 Nut.

SPRINGS AND SHOCK ABSORBERS—GROUP 16

REAR SPRING ASSEMBLY AND PARTS—SUB-GROUP 1601



USM-SP-2

YEAR AND ENG. SYM-BOL	BODY STYLES	Rear SPRING Ass'y	Rear SPRING Ass'y (With Covers)	Rear Spring BUSHING	Center BOLT	Center BOLT NUT	Front BOLT	Lock BOLT	(Front or Lock Bolt) NUT	(Front or Lock Bolt) LOCK-WASH'R	Lubricant FITTING
		2 Req'd	2 Req'd	4 Req'd	2 Req'd	2 Req'd	2 Req'd	2 Req'd	2 Req'd	2 Req'd	2 Req'd
1940 T202	ALL BODY STYLES	599106	☆	576042	593804	120368	590419	697239	120369	120382	145433
1940 T203	ALL EXC. AMB.	See Note 1 594021	☆	588183	593805	566084	588224	697239	120369	120382	145433
	AMBULANCE	See Note 1 912510	☆	588183	593805	566084	588224	697239	120369	120382	145433
1941 T207	PANEL & CARRY- ALL	599106	☆	576042	593804	120368	590419	697239	120369	120382	145433
	AMBULANCE	☆	916555	576042	593804	868530	590419	697239	120369	120382	145436
	EXPRESS	599106	☆	576042	593804	120368	590419	697239	120369	120382	SEE NOTE 2
	RECON. & RADIO	599106	☆	576042	593804	120368	590419	697239	120369	120382	145436
1941 T211	PANEL & CARRY- ALL	599106	☆	576042	593804	120368	590419	697239	120369	120382	145433
	AMBULANCE	☆	916555	576042	593804	868530	590419	697239	120369	120382	145436
	EXPRESS	599106	☆	576042	593804	120368	590419	697239	120369	120382	SEE NOTE 2
	RECON. & RADIO	599106	☆	576042	593804	120368	590419	697239	120369	120382	145436
	CL. CAB (NO BODY)	920204	☆	576042	593804	120368	590419	697239	120369	120382	SEE NOTE 2
1941 T215	PANEL & CARRY- ALL	599106	☆	576042	593804	120368	590419	697239	120369	120382	145433
	AMBULANCE	☆	916555	576042	593804	868530	590419	697239	120369	120382	145436
	EXPRESS	599106	☆	576042	593804	120368	590419	697239	120369	120382	SEE NOTE 2
	RECON.—TELE-										
	PHONE & RADIO	599106	☆	576042	593804	120368	590419	697239	120369	120382	145436
	CL. CAB (NO BODY)	920204	☆	576042	593804	120368	590419	697239	120369	120382	SEE NOTE 2
1941 T112	ALL BODY STYLES	590182	☆	2 Req'd 576042	593804	120368	590419	697239	120369	120382	SEE NOTE 3
1941 T118	UP TO SERIAL NO. 81334245	921999	☆	588183	593805	120369	588224	697239	120369	120382	145433
	AFTER SERIAL NO. 81334245	926221	☆	588183	593805	120369	588224	697239	120369	120382	145433
1942 T214	ALL EXC. AMB. AND EMERGENCY REPAIR CHASSIS	920987	☆	576042	593805	120369	925267	697239	120369	120382	145435
	AMBULANCE	☆	921477	576042	593805	120369	925267	697239	120369	120382	145435
1942 T214	EMERGENCY REPAIR CHASSIS	927754	☆	576042	927756	120369	925267	697239	120369	120382	145435
1943 T223	ALL	926170	☆	☆	593805	120369	☆	☆	☆	☆	☆

NOTE 1

Also used on Model T203 Only
2—588686 Rear Spring SHIM
2—589292 Rear Spring Shim DOWEL

NOTE 2

For Closed Cab—No Body and Express
Specify: 1—109365 Lubricant FITTING (Right)
1—145433 Lubricant FITTING (Left)

NOTE 3

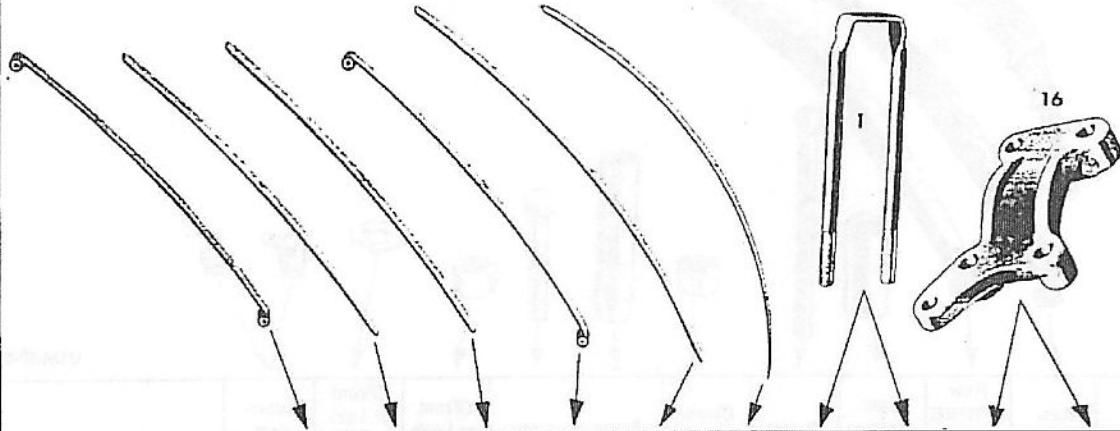
For Model T112 All Body Types
Specify: 1—145436 Lubricant FITTING (Right)
1—145433 Lubricant FITTING (Left)

☆ Not Used

SPRINGS AND SHOCK ABSORBERS—GROUP 16

FRONT AND REAR SPRING LEAVES AND CLIPS—SUB-GROUP 1601

USM-SP-3



YEAR AND ENG. SYM-BOL	BODY STYLES	Front Spring LEAF			Rear Spring LEAF			Front Spring CLIP		Front Spring Clip PLATE	
		No. 1	No. 2	No. 3	No. 1	No. 2	No. 3	Front or Right	Rear or Left	Right	Left
		2 Req'd	2 Req'd	2 Req'd	2 Req'd	2 Req'd	2 Req'd	2 Req'd	2 Req'd	1 Req'd	1 Req'd
1940 T202	ALL BODY STYLES	599369	599370	599371	599107	599108	599109	599322	599110	☆	599323
1940 T203	ALL EXC. AMB. AMBULANCE	588842 912559	588843 912560	588844 912561	594022 912511	912152 912512	594024 912513	567937 567937	565243 565243	☆ ☆	☆ ☆
1941 T207	ALL EXC. AMB. AMBULANCE	914235 916135	599370 916136	599371 916137	599107 916243	599108 916244	599109 916245	915876 915876	915877 915877	SEE NOTE 1	915867 915867
1941 T211	ALL EXC. AMB. & CL. CAB (NO BODY) AMBULANCE CL. CAB (NO BODY)	914235 916135 920696	599370 916136 599370	599371 916137 920220	599107 916243 920205	599108 916244 920206	599109 916245 920207	915876 915876 599322	915877 915877 916892	SEE NOTE 1	915867 915867 915867
1941 T215	ALL EXC. AMB. & CL. CAB (NO BODY) AMBULANCE CL. CAB (NO BODY)	920696 916135 920696	599370 916136 599370	920697 916137 920220	599107 916243 920205	599108 916244 920206	599109 916245 920207	915876 915876 924282	915877 915877 916892	SEE NOTE 1	915867 915867 915867
1941 T112	ALL BODY STYLES	589893	589894	589895	590195	590196	590185	564150	564150	☆	☆
1941 T118	UP TO SERIAL NO. 81334245 AFTER SERIAL NO. 81334245	916492	593417	590534	590960	593666	590962	588134	588135	☆	☆
1942 T214	ALL EXC. AMB. AND EMERGENCY REPAIR CHASSIS AMBULANCE	920814	920815	920816	920988	920989	920990	915877	915648	☆	2 Req'd 921196
1942 T214	EMERGENCY REPAIR CHASSIS	920814	920815	920816	920988	920989	927755	915877	915648	☆	921196
1943 T223	PERSONNEL AND CARGO	920814	920815	920816	926171	926171	926173	929345	915877	☆	921196

☆ Not Used

⋮ CURRENT NUMBER—FOR PREVIOUS NUMBER, SEE PARTS SUPERSEDECE LIST.

NOTE 1

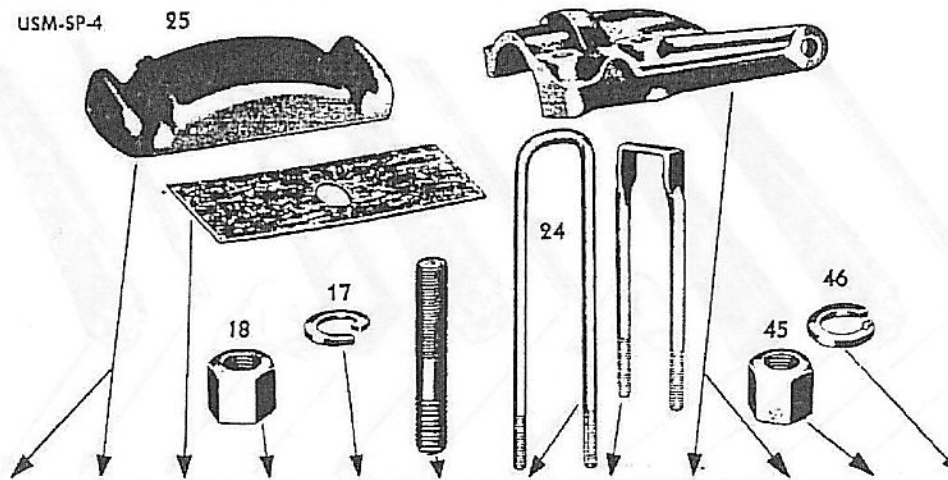
Right Front Spring Clip Plate Serviced in Front Axle Housing Assembly.

SPRINGS AND SHOCK ABSORBERS—GROUP 16

FRONT AND REAR SPRING CLIPS AND PARTS—SUB-GROUP 1601

USM-SP-4

25



Rear Spring Clip SEAT	Front Spring Clip SEAT	Front Spring Clip SEAT SPACER	Front Spring Clip or Plate Stud NUT	Front Spring Clip or Plate Stud Nut LOCK-WASH'R	Front Spring Clip Plate STUD	Rear Spring CLIP		Rear Spring Clip PLATE		Rear Spring Clip Plate NUT	Rear Spring Clip Plate Nut LOCK-WASH'R
						Long or Right	Short or Left	Right	Left		
2 Req'd	2 Req'd	2 Req'd	8 Req'd	8 Req'd	2 Req'd	2 Req'd	2 Req'd	1 Req'd	1 Req'd	8 Req'd	8 Req'd
☆	☆	☆	55481	120898	599374	599110	590094	589981	589981	55481	120898
565185	565228	☆	510855	121574	☆	581316	578731	☆	☆	510855	121574
565185	565228	912562	510855	121574	☆	581316	578731	☆	☆	510855	121574
☆	☆	☆	55481	120898	599374	590093	590093	915472	915473	55481	121574
☆	☆	☆	55481	120898	599374	590093	590093	915472	915473	55481	121574
☆	☆	☆	55481	120898	599374	915648	915648	915472	915473	55481	121574
☆	☆	☆	55481	120898	599374	915648	915648	915472	915473	55481	121574
☆	☆	☆	55481	120898	921148	599110	599110	915472	915473	55481	121574
☆	☆	☆	55481	120898	599374	915648	915648	915472	915473	55481	121574
☆	☆	☆	55481	120898	599374	915648	915648	915472	915473	55481	121574
☆	☆	☆	55481	120898	921148	599110	599110	915472	915473	55481	121574
☆	☆	☆	1424	120383	☆	589115	589115	590198	590199	50368	120384
574398	☆	☆	50368	120384	☆	578731	578731	574397	574397	510855	131205
574398	☆	☆	50368	120384	☆	563377	560171	574397	574397	510855	131205
☆	☆	☆	55481	120898	☆	915877	915877	915472	915473	55481	120898
☆	☆	☆	55481	120898	☆	915648	915648	915472	915473	55481	120898
☆	☆	☆	55481	120898	☆	916892	916892	915472	915473	55481	120898
925959	☆	☆	55481	120898	☆	926174	926174	☆	☆	510855	131205

AUXILIARY REAR SPRINGS USED ONLY ON MODEL T118 LIST OF PARTS

- 1941—T118 UP TO SERIAL NO. 81334245
- 2—922074 Rear Auxiliary SPRING Assembly
- 2—915813 Rear Auxiliary Spring LEAF No. 1
- 2—915814 Rear Auxiliary Spring LEAF No. 2
- 2—922076 Rear Auxiliary Spring LEAF No. 3
- 2—593805 Rear Auxiliary Spring Center BOLT
- 2—120369 Rear Auxiliary Spring Center Bolt NUT
- 2—564164 Rear Auxiliary Spring SPACER
- 4—595274 Rear Auxiliary Spring Bumper BRACKET
- 12—108684 Rear Auxiliary Spring Bumper Bracket RIVET

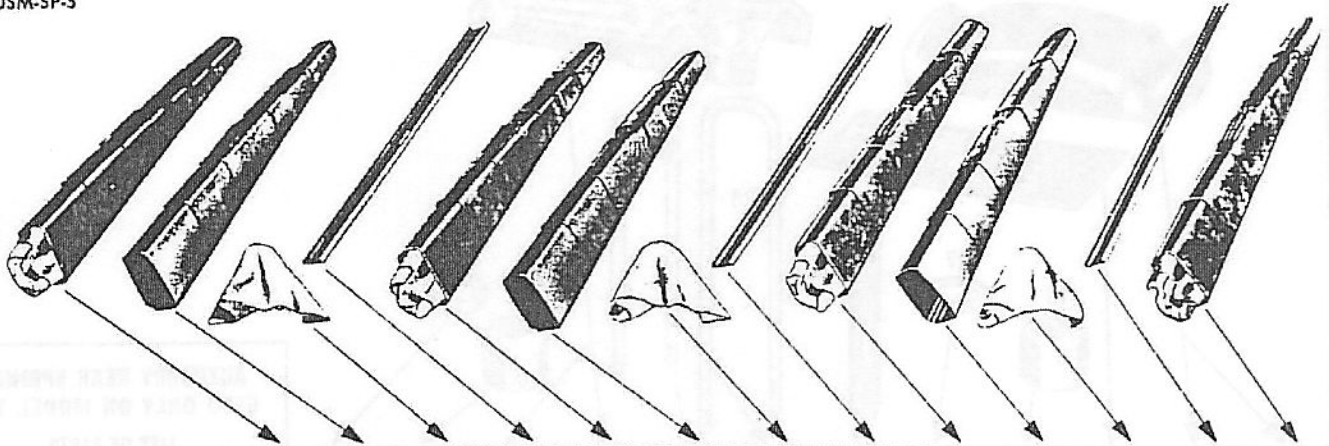
☆ Not Used

: CURRENT NUMBER—FOR PREVIOUS NUMBER, SEE PARTS SUPERSEDEANCE LIST.

SPRINGS AND SHOCK ABSORBERS—GROUP 16

FRONT AND REAR SPRING COVERS AND PARTS—SUB-GROUP 1601

USM-SP-5



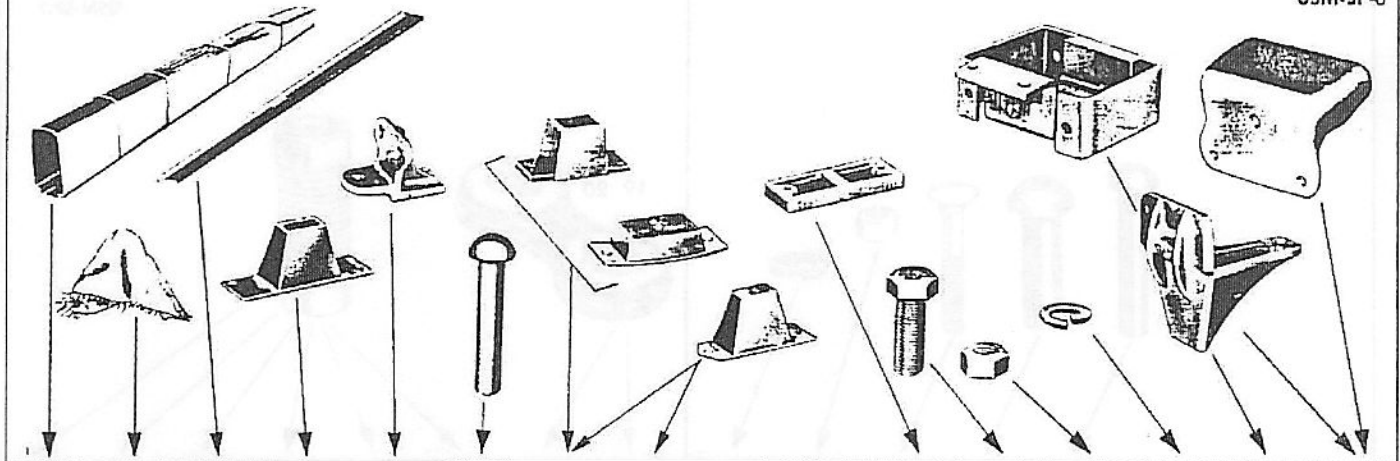
YEAR AND ENG. SYM-BOL	BODY STYLES	Front Spring Front COVER Ass'y	Front Spring Front COVER	Front Spring Front Cover Canvas WRAP-PER	Front Spring Front Cover Closing STRIP	Front Spring Rear COVER Ass'y	Front Spring Rear COVER	Front Spring Rear Cover Canvas WRAP-PER	Front Spring Rear Cover Closing STRIP	Rear Spring Front COVER Ass'y	Rear Spring Front COVER	Rear Spring Front Cover Canvas WRAP-PER	Rear Spring Front Cover Closing STRIP	Rear Spring Rear COVER Ass'y
		2 Req'd	2 Req'd	2 Req'd	2 Req'd	2 Req'd	2 Req'd	2 Req'd	2 Req'd	2 Req'd	2 Req'd	2 Req'd	2 Req'd	2 Req'd
1940 T202	ALL BODY STYLES	☆	☆	☆	☆	☆	☆	☆	☆	☆	☆	☆	☆	☆
1940 T203	ALL EXC. AMB. AMBULANCE	☆	☆	☆	☆	☆	☆	☆	☆	☆	☆	☆	☆	☆
1941 T207	ALL EXC. AMB. AMBULANCE	☆	☆	☆	☆	☆	☆	☆	☆	☆	☆	☆	☆	☆
		916535	916536	916537	916538	916539	916540	916541	916542	916544	916545	916546	916547	916548
1941 T211	ALL EXC. AMB. & CL. CAB (NO BODY) AMBULANCE	☆	☆	☆	☆	☆	☆	☆	☆	☆	☆	☆	☆	☆
		916535	916536	916537	916538	916539	916540	916541	916542	916544	916545	916546	916547	916548
1941 T215	ALL EXC. AMB. & CL. CAB (NO BODY) AMBULANCE	☆	☆	☆	☆	☆	☆	☆	☆	☆	☆	☆	☆	☆
		916535	916536	916537	916538	916539	916540	916541	916542	916544	916545	916546	916547	916548
1941 T112	ALL BODY STYLES	☆	☆	☆	☆	☆	☆	☆	☆	☆	☆	☆	☆	☆
1941 T118	UP TO SERIAL NO. 81334245	☆	☆	☆	☆	☆	☆	☆	☆	☆	☆	☆	☆	☆
	AFTER SERIAL NO. 81334245	☆	☆	☆	☆	☆	☆	☆	☆	☆	☆	☆	☆	☆
1942 T214	ALL EXC. AMB. AND EMERGENCY REPAIR CHASSIS	☆	☆	☆	☆	☆	☆	☆	☆	☆	☆	☆	☆	☆
	AMBULANCE	921353	921434	921435	921436	921353	921434	921435	921436	921479	921480	921481	921482	921479
1942 T214	EMERGENCY REPAIR CHASSIS	☆	☆	☆	☆	☆	☆	☆	☆	☆	☆	☆	☆	☆
1943 T223	ALL	☆	☆	☆	☆	☆	☆	☆	☆	☆	☆	☆	☆	☆

☆ Not Used

SPRINGS AND SHOCK ABSORBERS—GROUP 16

FRONT AND REAR SPRING COVERS AND PARTS—SUB-GROUP 1601

USM-SP-6



Rear Spring Rear COVER	Rear Spring Rear Cover Canvas WRAP-PER	Rear Spring Rear Cover Closing STRIP	Front Spring Axle BUMPER Front Assembly	Front Spring Axle BUMPER Rear Assembly	Front Spring Axle BUMPER RIVET	Spring Axle BUMPER HOUSING	Rear Spring Axle BUMPER Assembly			Rear and Rear Spring Axle BUMPER SPACER	Rear Spring Axle BUMPER To Frame BOLT	Rear Spring BUMPER To Frame NUT	Rear Spring BUMPER To Frame LOCK-WASH'R	Rear Spring Axle BUMPER BRACKET	Rear Spring Axle BUMPER BRACKET
2 Req'd	2 Req'd	2 Req'd	2 Req'd	2 Req'd	12 Req'd	2 Req'd	2 Req'd			2 Req'd	4 Req'd	4 Req'd	4 Req'd	2 Req'd	2 Req'd
☆	☆	☆	599372	☆	☆	☆	599097			☆	☆	☆	☆	599111	☆
☆	☆	☆	588684	588680	108684	☆	502991			☆	126373	120376	120214	588683	☆
☆	☆	☆	588684	912563	110668	☆	502991			☆	126373	120376	120214	☆	916124
☆	☆	☆	599372	☆	☆	☆	599097			☆	121661	120368	120214	599111	☆
916549	916550	916551	599372	☆	☆	☆	916822			☆	121661	120368	120214	☆	599111
☆	☆	☆	599372	☆	☆	☆	599097			☆	121661	120368	120214	599111	☆
916549	916550	916551	599372	☆	☆	☆	916822			☆	121661	120368	120214	☆	599111
☆	☆	☆	599372	☆	☆	☆	599372			☆	121661	120368	120214	☆	599111
☆	☆	☆	599372	☆	☆	☆	599097			☆	121661	120368	120214	599111	☆
916549	916550	916551	599372	☆	☆	☆	916822			☆	121661	120368	120214	☆	599111
☆	☆	☆	599372	☆	☆	☆	599372			☆	121661	120368	120214	☆	599111
☆	☆	☆	43281	☆	☆	☆	600330			☆	120741	120368	120214	☆	☆
☆	☆	☆	558780	☆	☆	Front 558779	502991			☆	☆	☆	☆	☆	4 Req'd 595274
☆	☆	☆	558780	☆	☆	Front 558779	502991			564165	☆	☆	☆	☆	☆
☆	☆	☆	921394	☆	☆	☆	924161			☆	120647	120369	120382	☆	☆
921480	921481	921482	921394	☆	☆	☆	916822			☆	120647	120369	120382	☆	921035
☆	☆	☆	921394	☆	☆	Rear 927751	576952			☆	120647	120369	120382	☆	☆
☆	☆	☆	921394	☆	☆	☆	4 Req'd 921394			928808	SEE NOTE 1	8 Req'd 120370	8 Req'd 120383	☆	☆

☆ Not Used

NOTE 1

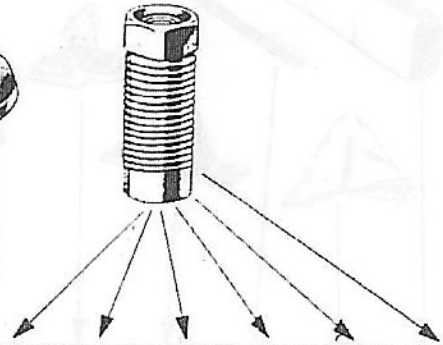
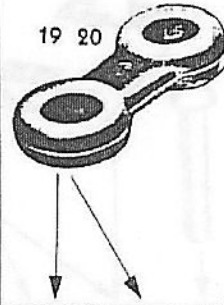
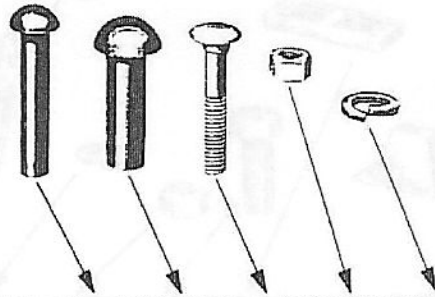
For Front Rear Axle Use 4—123852 Bolt
For Rear Rear Axle Use 4—561595 Bolt

SPRINGS AND SHOCK ABSORBERS—GROUP 16

REAR SPRING AXLE BUMPER PARTS—SUB-GROUP 1601

FRONT SPRING SHACKLE BUSHING PTS.—SUB-GRP. 1602

USM-SP-7



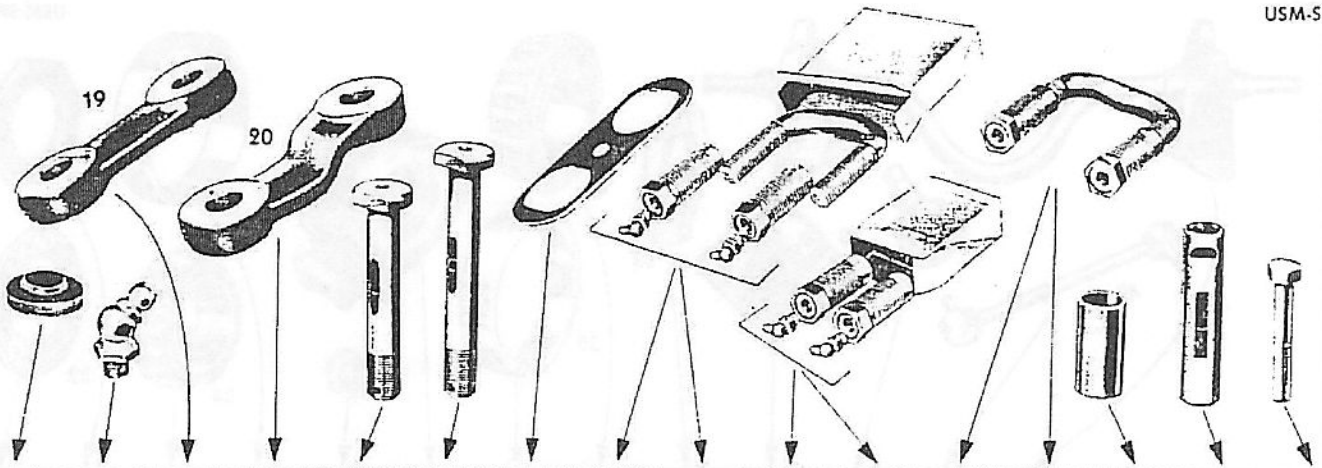
YEAR AND ENG. SYMBOL	BODY STYLES	Axle Bumper Bracket to Frame RIVET	Axle Bumper Bracket to Frame RIVET	Axle Bumper to Bracket BOLT	Axle Bumper to Bracket NUT	Axle Bumper to Bracket LOCK-WASH'R	Front Spring SHACKLE (Right)	Front Spring SHACKLE (Left)	BUSHING and PLUG Ass'y R. & L. (Std.)	BUSHING and PLUG Ass'y Lower Right (Std.)	BUSHING and PLUG Ass'y Lower Left (Std.)	BUSHING and PLUG Ass'y R. & L. .010" o/s	BUSHING and PLUG Ass'y Lower Right .010" o/s	BUSHING and PLUG Ass'y Lower Left .010" o/s
		2 Req'd	2 Req'd	8 Req'd	8 Req'd	8 Req'd	1 Req'd	1 Req'd	2 Req'd	1 Req'd	1 Req'd	2 Req'd	1 Req'd	1 Req'd
1940 T202	ALL BODY STYLES	6 Req'd 104102	☆	☆	☆	☆	651110	651109	639276	650555	639276	640041	650562	640041
1940 T203	ALL EXC. AMB. AMBULANCE	☆	☆	120647	120369	120382	☆	☆	☆	☆	☆	☆	☆	☆
1941 T207	ALL EXC. AMB. AMBULANCE	104102	☆	☆	☆	☆	☆	☆	☆	☆	☆	☆	☆	☆
1941 T211	ALL EXC. AMB. AMBULANCE	104102	☆	☆	☆	☆	☆	☆	☆	☆	☆	☆	☆	☆
1941 T215	ALL EXC. AMB. AMBULANCE	104102	☆	☆	☆	☆	☆	☆	☆	☆	☆	☆	☆	☆
1941 T112	ALL BODY STYLES	☆	☆	☆	☆	☆	651110	651109	639276	650555	639276	640041	650562	640041
1941 T118	UP TO SERIAL NO. 81334245	12 Req'd 108684	☆	☆	☆	☆	2 Req'd 594940	2 Req'd 594940	☆	☆	☆	☆	☆	☆
	AFTER SERIAL NO. 81334245	☆	☆	126380	120367	120214	2 Req'd 594940	2 Req'd 594940	☆	☆	☆	☆	☆	☆
1942 T214	ALL EXC. AMB. AMBULANCE	4 Req'd 104114	☆	☆	☆	☆	☆	☆	☆	☆	☆	☆	☆	☆
1943 T223	ALL BODY STYLES	4 Req'd 104114	104131	☆	☆	☆	☆	☆	☆	☆	☆	☆	☆	☆

☆ Not Used

SPRINGS AND SHOCK ABSORBERS—GROUP 16

FRONT AND REAR SPRING SHACKLE BUSHING PARTS—SUB-GROUP 1602

USM-SP-8



Front Spring Shackle Bushing PLUG	Front Spring Shackle or Bushing Lubricant FITTING	Front Spring Outer SH'KLE	Front Spring Inner SH'KLE	Front Spring Upper Shackle BOLT	Front Spring Lower Shackle BOLT	Front Spring Shackle Bolt LOCK	Front Spring SHACKLE AND BUSHING PACKAGE		Front Spring Shackle BUSHING PACKAGE		Rear Spring SHACKLE and Bushing Assembly		Rear Spring Shackle BUSHING	Rear Spring Shackle BOLT	Rear Spring Shackle Lock BOLT
							Right ♣♣	Left ♣♣	Right ♣♣	Left ♣♣	C	C			
4 Req'd	4 Req'd	2 Req'd	2 Req'd	2 Req'd	2 Req'd	2 Req'd	As Req'd	As Req'd	As Req'd	As Req'd	2 Req'd	2 Req'd	2 Req'd	4 Req'd	4 Req'd
699277	145435	☆	☆	☆	☆	☆	999711	999710	999713	999712	592403	☆	576030	590419	697239
☆	145433	536686	565231	588682	588682	565240	☆	☆	☆	☆	588221	☆	588223	☆	☆
☆	145433	536686	565231	588682	588682	565240	☆	☆	☆	☆	☆	913585	588223	☆	☆
☆	145433	594260	594261	594262	594263	☆	☆	☆	☆	☆	592403	☆	576030	590419	697239
☆	145433	594260	594261	594262	594263	☆	☆	☆	☆	☆	☆	916240	576030	590419	697239
☆	110347	594260	594261	594262	594263	☆	☆	☆	☆	☆	592403	☆	576030	590419	697239
☆	110347	594260	594261	594262	594263	☆	☆	☆	☆	☆	☆	916240	576030	590419	697239
☆	110347	594260	594261	594262	594263	☆	☆	☆	☆	☆	592403	☆	576030	590419	697239
☆	110347	594260	594261	594262	594263	☆	☆	☆	☆	☆	☆	916240	576030	590419	697239
699277	145435	☆	☆	☆	☆	☆	999711	999710	999713	999712	☆	SEE PAGE 316	SEE PAGE 316	☆	☆
☆	☆	☆	☆	☆	☆	589540	☆	☆	☆	☆	588221	☆	588223	☆	☆
☆	☆	☆	☆	☆	☆	589540	☆	☆	☆	☆	588221	☆	588223	☆	☆
☆	110309	594260	594261	594262	594263	☆	☆	☆	☆	☆	921033	☆	576030	925267	697239
☆	110309	594260	594261	594262	594263	☆	☆	☆	☆	☆	☆	925265	576030	925267	697239
☆	110309	594260	594261	594262	594263	☆	☆	☆	☆	☆	☆	☆	☆	☆	☆

A

Models T207-T211-T215-T214-T223
 4—125267 Front Spring Shackle Bolt NUT
 4—119209 Front Spring Shackle Bolt COTTER PIN

B

Model T203
 2—120854 Front Spring Shackle Bolt Lock SCREW
 2—120380 Front Spring Shackle Bolt Lock Screw LOCKWASHER
 Model T118
 2—120628 Front Spring Shackle Bolt Lock SCREW
 2—120380 Front Spring Shackle Bolt Lock Screw LOCKWASHER

C

REAR SPRING SHACKLE LUBRICANT FITTING
 For Models T202-T207-T211-T215-T112
 4—145435 Lubricant Fitting
 For Models T203-T118-T214-T223
 4—145433 Lubricant Fitting

D

Models T202-T207-T211-T215-T214
 4—120369 Rear Spring Shackle Lock Bolt NUT
 4—120382 Rear Spring Shackle Lock Bolt Nut LOCKWASHER

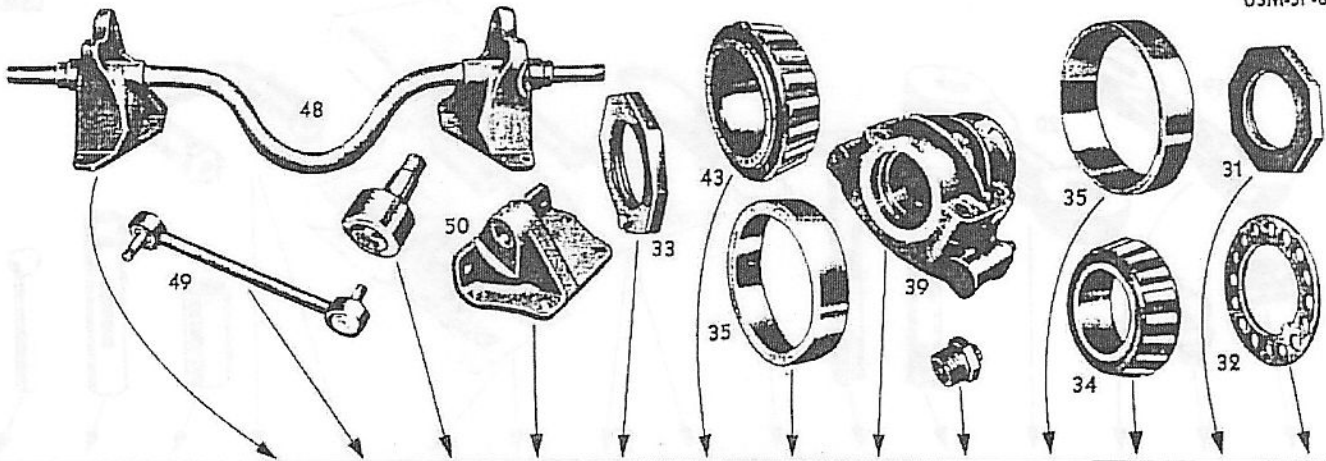
☆ Not Used

♣♣ FOR CONTENTS OF SERVICE PACKAGES, SEE BILL OF MATERIAL SECTION.

SPRING AND SHOCK ABSORBERS—GROUP 16

REAR SPRING TRUNNION BRACKET TORQUE LINK AND PARTS—SUB-GROUP 1602

USM-SP-8A



YEAR AND ENGINEERING SYMBOL	Trunnion Brkt. and Shaft Assy.	Rear Sprg. Torque Link Assy.	Torq. Link Bush. and Ball Stud Assy.	Torque Link Frame Brkt.	Trunnion Brg. Adj. Nut Assy. (Inner)	Trunnion Brg. Cone and Rollers Assy. (Inner)	Trunnion Brg. Cup (Inner)	Trunnion Brg. Hsg. Cups and Stud Assy.	Brg. Hsg. Grease Relief Valve Assy.	Trunnion Brg. Cup (Outer)	Trunnion Brg. Cone and Rollers (Outer)	Trunnion Brg. Adj. Nut (Outer)	Trunnion Brg. Adj. Nut Lock
	A	B	B	C				D					
	1 Req'd	6 Req'd	12 Req'd	2 Req'd	2 Req'd	2 Req'd	2 Req'd	2 Req'd	2 Req'd	2 Req'd	2 Req'd	2 Req'd	2 Req'd
1943—T223	928264	928908	928912	928262	928268	698404	698403	926126	929864	698403	929194	928270	928271

A

B

REAR SPRING TRUNNION BRACKET ATTACHING PARTS
 8—124244 Bracket to Frame BOLT
 8—121358 Bracket to Frame Bolt NUT
 8—121574 Bracket to Frame Bolt LOCKWASHER

REAR SPRING TORQUE LINK PARTS
 12—125285 Torque Link Ball Stud NUT
 12—103399 Torque Link Ball Stud COTTER PIN

D

C

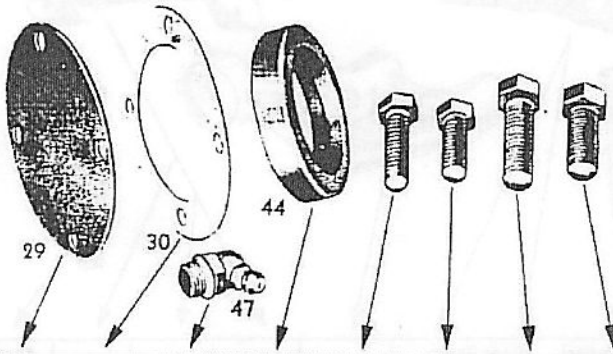
REAR SPRING BEARING HOUSING CLAMP PARTS
 4—926132 STUD
 4—121358 NUT
 4—121574 LOCKWASHER

REAR SPRING TORQUE LINK FRAME BRACKET PARTS
 8—120371 Torque Link Frame Bracket Bolt NUT
 8—120384 Torque Link Frame Bracket Bolt LOCK WASHER

SPRING AND SHOCK ABSORBERS—GROUP 16

REAR SPRING TRUNNION BEARING HOUSING COVER—TORQUE LINK PARTS— SUB-GROUP 1602

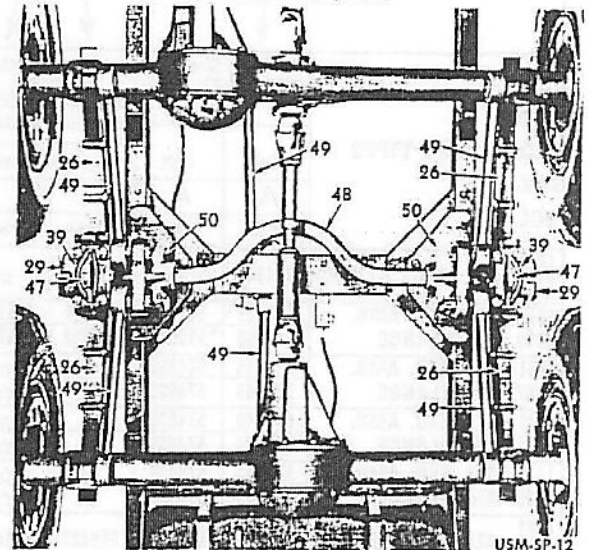
USM-SP-8B



Trunnion Brg. Hsg. Cover	Trunnion Brg. Hsg. Cover Gskt.	Trunnion Brg. Hsg. Lubr. Fitting	Trunnion Brg. Hsg. Oil Seal Assy.	Torq. Link Frame Brkt. Bolt (Long)	Torq. Link Frame Brkt. Bolt (Short)	Trunnion Brkt. to Frame Screw (Long)	Trunnion Brkt. to Frame Screw (Short)	Trunnion Brkt. to Frame Screw Lock-washer
A								
2 Req'd	2 Req'd	2 Req'd	2 Req'd	4 Req'd	4 Req'd	4 Req'd	8 Req'd	12 Req'd
926130	926131	145435	928704	124169	120234	122758	122731	121574

REAR SPRING WITH TRUNNION BRACKET AND HOUSING INSTALLATION

MODEL T-223 (6 x 6)



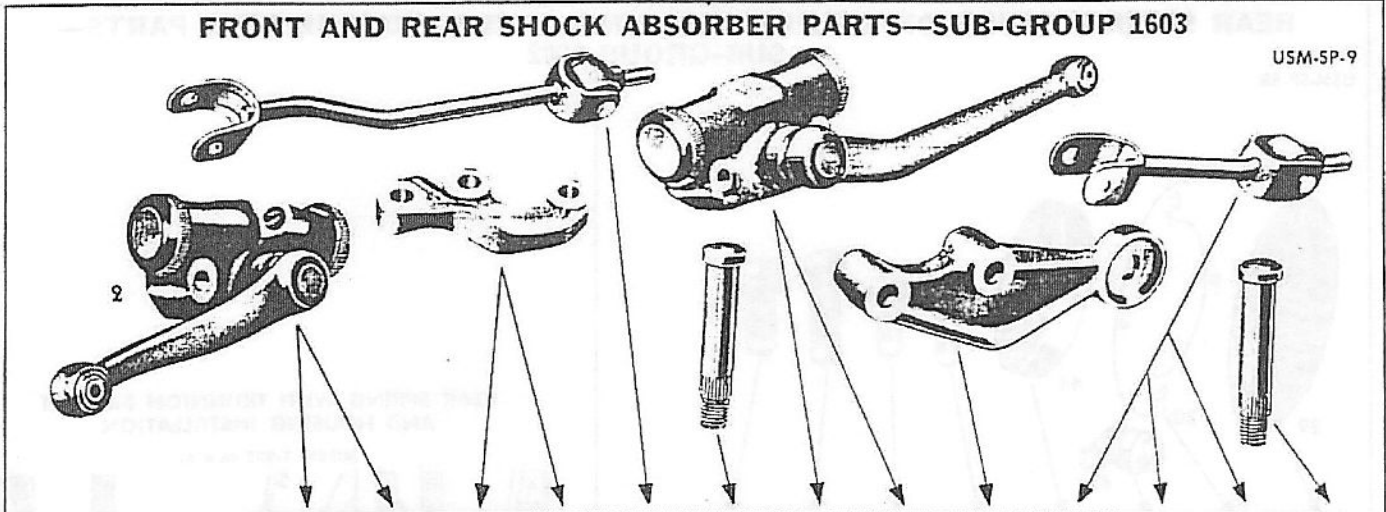
USM-SP-12

A
REAR SPRING BEARING HOUSING COVER PARTS
 8—122119 SCREW
 8—120382 LOCKWASHER

SPRINGS AND SHOCK ABSORBERS—GROUP 16

FRONT AND REAR SHOCK ABSORBER PARTS—SUB-GROUP 1603

USM-5P-9



YEAR AND ENG. SYM- BOL	BODY TYPES	Front Shock ABSORBER Ass'y		Front Shock Absorber Anchor BRACKET or Frame Bracket		Link ROD and Eye Bolt Ass'y	Absorber to Link Rod and Eye Bolt PIN	Rear Shock ABSORBER Ass'y		Rear Shock Absorber Anchor BRA'KT	Link ROD and Eye Bolt Ass'y	Link Rod Eye Bolt Ass'y	Link Rod Eye Bolt Ass'y	Absorber to Link Rod and Eye Bolt PIN				
		Right	Left	Right	Left			Right	Left									
		A	A					B	A						A	C	B	B
		1 Req'd	1 Req'd	1 Req'd	1 Req'd			2 Req'd	2 Req'd						1 Req'd	1 Req'd	2 Req'd	2 Req'd
1940 T202	ALL BODY STYLES	574840	574839	☆	☆	599385	320771	560028	560029	598608	588727	☆	☆	320771				
1940 T203	ALL EXC. AMB. AMBULANCE	588729 916680	588728 916681	565232 565232	565232 565232	588727	320771	560028 916690	560029 916691	558434 558434	588681 916120	☆ ☆	☆ ☆	320771 320771				
1941 T207	ALL EXC. AMB. AMBULANCE	574840 574840	574839 574839	☆ ☆	☆ ☆	915394 915394	320771 320771	560028 916118	560029 916119	☆ ☆	596133 596133	☆ ☆	☆ ☆	320771 320771				
1941 T211	ALL EXC. AMB. AMBULANCE	574840 574840	574839 574839	☆ ☆	☆ ☆	915394 915394	320771 320771	560028 916118	560029 916119	☆ ☆	596133 596133	☆ ☆	☆ ☆	320771 320771				
1941 T215	ALL EXC. AMB. AMBULANCE	574840 574840	574839 574839	☆ ☆	☆ ☆	915394 915394	320771 320771	560028 916118	560029 916119	☆ ☆	596133 596133	☆ ☆	☆ ☆	320771 320771				
1941 T112	ALL BODY STYLES	919985	919985	912428	912429	☆	☆	919987	919987	☆	☆	☆	☆	☆				
1941 T118	ALL BODY STYLES	574840	574839	590910	590911	574030	320771	582168	582169	582166	591027	☆	☆	See Note 1 576708				
1942 T214	ALL EXC. AMB. Up to ser. No. 81632225 except 81617139 thru 81619000 on Front Shocks Up to ser. No. 81632401 except 81617297 thru 81619000 on Rear Shocks	922360	922361	☆	☆	921201	320771	921036	921037	☆	921038	☆	☆	320771				
1942 T214	AMBULANCE Up to 81632103	922360	922361	☆	☆	921201	320771	916118	916119	☆	921039	☆	☆	320771				
1942 T214	ALL EXC. AMB. After ser. No. 81632225 also on 81617139 thru 81619000 on Front Shocks After ser. No. 81632401 also on 81617297 thru 81619000 on Rear Shocks	927428	927429	☆	☆	927340	☆	927432	927433	☆	927346	927341	927348	☆				
1942 T214	AMBULANCE After 81632103	927428	927429	☆	☆	927340	☆	928656	928657	☆	928660	927348	927348	☆				
1943 T223	PERSONNEL AND CARGO	927428	927429	☆	☆	929275	☆	☆	☆	☆	☆	927341	☆	☆				

SPRINGS AND SHOCK ABSORBERS—GROUP 16

PAGE 315

ATTACHING PARTS FOR PAGE 314

SHOCK ABSORBER INTERNAL REPAIR KIT (FRONT & REAR)
⌘⌘
PKG. NO. 1056087
MODELS T214-T223

SHOCK ABSORBER EXTERNAL REPAIR KIT
⌘⌘
PKG. NO. 1056088
MODEL T214

A

<p>FRONT AND REAR SHOCK ABSORBER ATTACHING PARTS</p> <p>T202-(T203 Except Ambulance) T207-T211-T215-T118 (Front Only)-T214-T223</p> <p>8—124230 BOLT (To Frame) 8—124634 NUT (To Frame) 8—121458 PLAINWASHER (To Frame) 8—120898 LOCKWASHER (To Frame)</p>
<p>T203 Ambulance</p> <p>8—124398 BOLT (To Frame) 8—124634 NUT (To Frame) 8—121458 PLAINWASHER (To Frame) 8—120898 LOCKWASHER (To Frame)</p>
<p>Model T112 (Front Only)</p> <p>4—126022 NUT (Mounting)</p>
<p>Model T118 (Rear Only)</p> <p>4—124412 BOLT (To Frame) 4—124634 NUT (To Frame) 4—121458 PLAINWASHER (To Frame) 4—120898 LOCKWASHER (To Frame)</p>

B

<p>FRONT SHOCK ABSORBER LINK ROD AND EYEBOLT ATTACHING PARTS</p> <p>Models T202-T203-T207-T211-T215-T118-T214-T223</p> <p>2—120371 NUT (To Anchor Bracket) 2—102384 LOCKWASHER (To Anchor Bracket) †2—124920 NUT (To Eyebolt) †2—120214 LOCKWASHER (To Eyebolt) ††4—120731 NUT (Link Rod) (T214 Only) ††6—120384 LOCKWASHER (Link Rod) (T214 Only)</p>

NOTE 1

When ordering 576708 Pin also specify:
4—576709 Grommet
4—576710 Retainer

C

<p>REAR SHOCK ABSORBER LINK ROD AND EYEBOLT ATTACHING PARTS</p> <p>Models T202-T203-T207-T211-T215 and T214</p> <p>2—120371 NUT (To Eyebolt) Large 2—135629 LOCKWASHER (To Eyebolt) Large 2—124920 NUT (To Eyebolt) Small 2—120214 LOCKWASHER (To Eyebolt) Small</p>
<p>Model T118</p> <p>2—120371 NUT (To Eyebolt) Large 2—135699 LOCKWASHER (To Eyebolt) Large 2—124925 NUT (To Eyebolt) Small 2—120382 LOCKWASHER (To Eyebolt) Small</p>

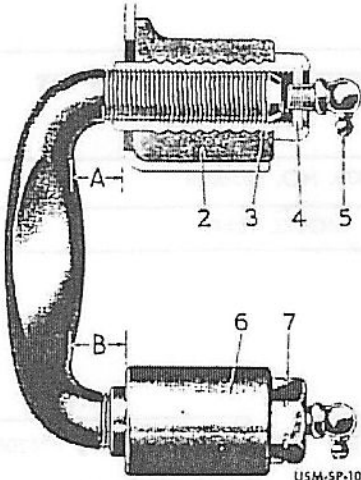
† REFER TO PAGE 314 FOR UP TO EFFECTIVE POINTS ON MODEL T214.

†† REFER TO PAGE 314 FOR AFTER EFFECTIVE POINTS ON MODEL T214.

⌘⌘ FOR CONTENTS OF SERVICE PACKAGES, SEE BILL OF MATERIAL SECTION.

SPRINGS AND SHOCK ABSORBERS—GROUP 16

REAR SPRING SHACKLE AND PARTS SUB-GROUP 1602 Model T112



USM-SP-10*

Quantity Req'd	Part No.	Part Name	Ref. No.
1	697461	Rear Spring SHACKLE—Right.....	1
1	697460	Rear Spring SHACKLE—Left.....	1
2	573506	Rear Spring Shackle BUSHING and Plug Assembly—Upper.....	3
1	650555	Rear Spring Shackle Lower Right BUSHING and Plug Assembly.....	7
1	639276	Rear Spring Shackle Lower Left BUSHING and Plug Assembly.....	7
2	573522	Rear Spring Shackle Upper BUSHING and Plug Assembly—.010" Oversize.....	3
1	650569	Rear Spring Shackle Lower Right BUSHING and Plug Assembly—.010" Oversize.....	7
1	640041	Rear Spring Shackle Lower Left BUSHING and Plug Assembly—.010" Oversize.....	7
2	640817	Rear Spring Shackle Bushing Upper PLUG.....	4
2	639277	Rear Spring Shackle Bushing Lower PLUG.....	-

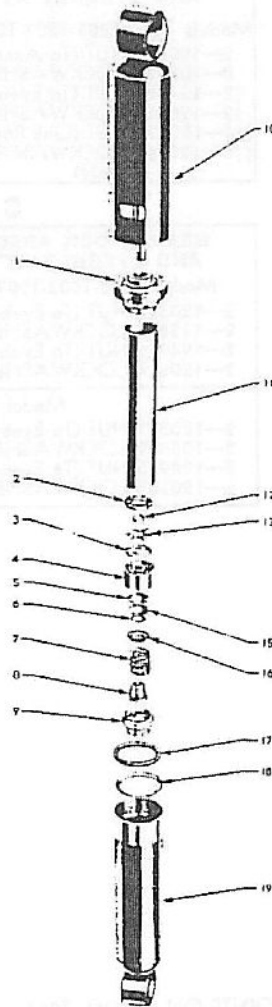
INDEX OF SHOCK ABSORBER

Ref. No.	Part Name
1	Piston rod guide and seal assembly
2	Piston washer
3	Piston intake valve plate
4	Piston
5	Rebound valve orifice plate (not used)
6	Rebound valve back plate
7	Rebound valve spring
8	Piston rod nut
9	Compression valve assembly
10	Dust shield tube and piston rod assembly
11	Cylinder tube
12	Piston washer spacer
13	Piston intake valve plate spider spring
15	Rebound valve spring disc
16	Rebound valve spring seat
17	Gasket—upper (rubber)
18	Gasket retainer
19	Reservoir tube and cylinder base assembly

FRONT AND REAR SHOCK ABSORBER PARTS—SUB-GROUP 1603 Model T112

Quantity Req'd	Part No.	Part Name
8	668164	Front Shock Absorber Pivot BUSHING (Rubber)
2	855917	Front Shock Absorber Pivot Bushing Inner WASHER
2	855004	Front Shock Absorber Pivot Bushing Outer WASHER
2	120919	Front Shock Absorber to Frame Bracket BOLT—Long
2	123841	Front Shock Absorber to Frame Bracket BOLT—Short
4	120370	Front Shock Absorber to Frame Bracket Bolt NUT
4	120395	Front Shock Absorber to Frame Bracket Bolt NutPLAINWASH'R

EXPLODED VIEW OF SHOCK ABSORBER



USM-SP-11

Quantity Req'd	Part No.	Part Name
4	120383	Front Shock Absorber to Frame Bracket Bolt Nut LOCKWASHER
2	912427	Front Shock Absorber Axle STUD
2	599896	Rear Shock Absbr. Upper Pivot STUD
2	855888	Rear Shock Absbr. Lower Pivot STUD
4	126016	Rear Shock Absbr. Pivot NUT—Large
4	126022	Rear Shock Absorber Pivot NUT—Small
8	668164	Rear Shock Absorber Pivot BUSHING (Rubber)
4	855917	Rear Shock Absorber Inner Pivot WASHER
4	855004	Rear Shock Absorber Outer Pivot WASHER
1	590694	Rear Shock Absorber Right BRACKET (Except Closed Cab and Pick Up)
1	590695	Rear Shock Absorber Left BRACKET (Except Closed Cab and Pick Up)
1	922780	Rear Shock Absorber Right Frame BRACKET and Spacer Assembly (Closed Cab and Pick Up)
1	922781	Rear Shock Absorber Left Frame BRACKET and Spacer Assembly (Closed Cab and Pick Up)
8	120647	Rear Shock Absorber Frame Bracket BOLT
8	120369	Rear Shock Absorber Frame Bracket Bolt NUT
8	120382	Rear Shock Absorber Frame Bracket Bolt Nut LOCKWASHER
2	581519	Rear Shock Absorber Frame Side Rail SPACER
2	104085	Rear Shock Absorber Frame Side Rail Spacer RIVET
2	699952	Rear Shock Absorber Compression VALVE Assembly
2	699983	Rear Shock Absorber Compression VALVE Assembly
4	920500	Front and Rear Shock Absorber Cylinder TUBE
4	955046	Front and Rear Shock Absorber Cylinder Tube SLEEVE Assembly
2	920519	Front Shock Absorber Dust Shield TUBE and PISTON ROD Assy.
2	920521	Rear Shock Absorber Dust Shield TUBE and PISTON ROD Assy.
4	668147	Front and Rear Shock Absorber Upper GASKET (Rubber)
4	668146	Front and Rear Shock Absorber Gasket RETAINER
4	856509	Front and Rear Shock Absorber PISTON
4	695353	Front and Rear Shock Absorber Piston NUT
4	695349	Front and Rear Shock Absorber Piston WASHER
4	695350	Front and Rear Shock Absorber Piston Washer SPACER
4	668154	Front and Rear Shock Absorber Piston Intake Valve PLATE
4	668153	Front and Rear Shock Absorber Piston Intake Valve Plate Spider SPRING
4	857040	Front and Rear Shock Absorber Piston Rod GUIDE and Seal Assembly
4	695352	Front and Rear Shock Absorber Rebound Valve Back PLATE
2	673579	Front Shock Absorber Rebound Valve SPRING
2	698379	Rear Shock Absorber Rebound Valve SPRING
2	673587	Front Shock Absorber Rebound Valve Spring DISC
2	673588	Rear Shock Absorber Rebound Valve Spring DISC
4	695351	Front and Rear Shock Absorber Rebound Valve Spring SEAT
2	920505	Front Shock Absorber Reservoir Tube and Cylinder BASE Assembly
2	920506	Rear Shock Absorber Reservoir Tube and Cylinder BASE Assembly