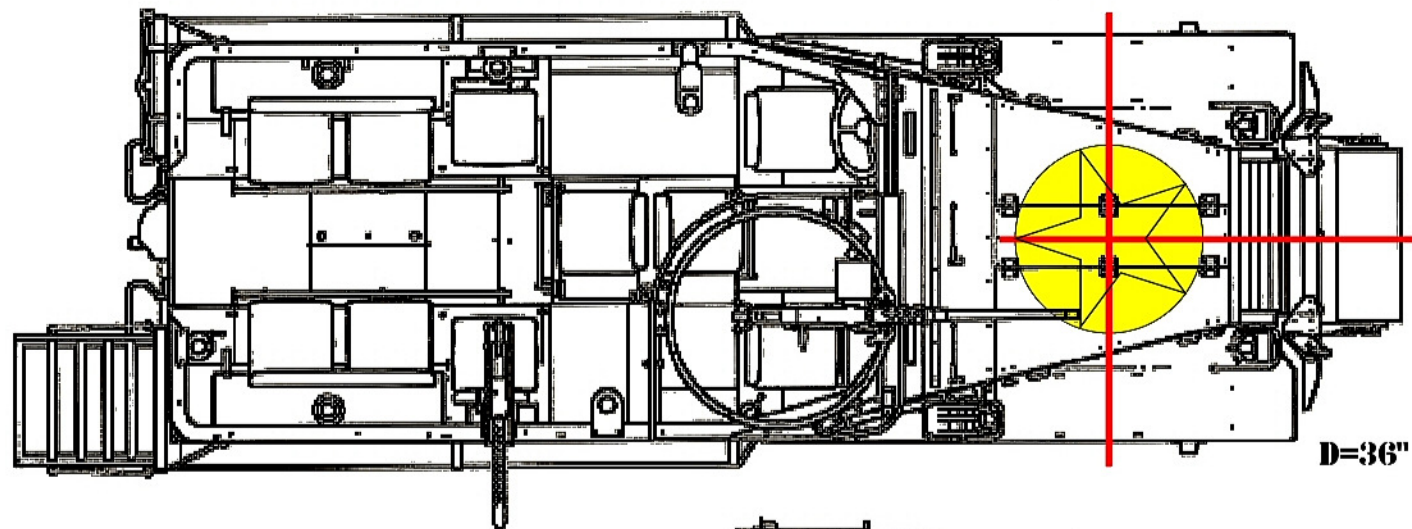
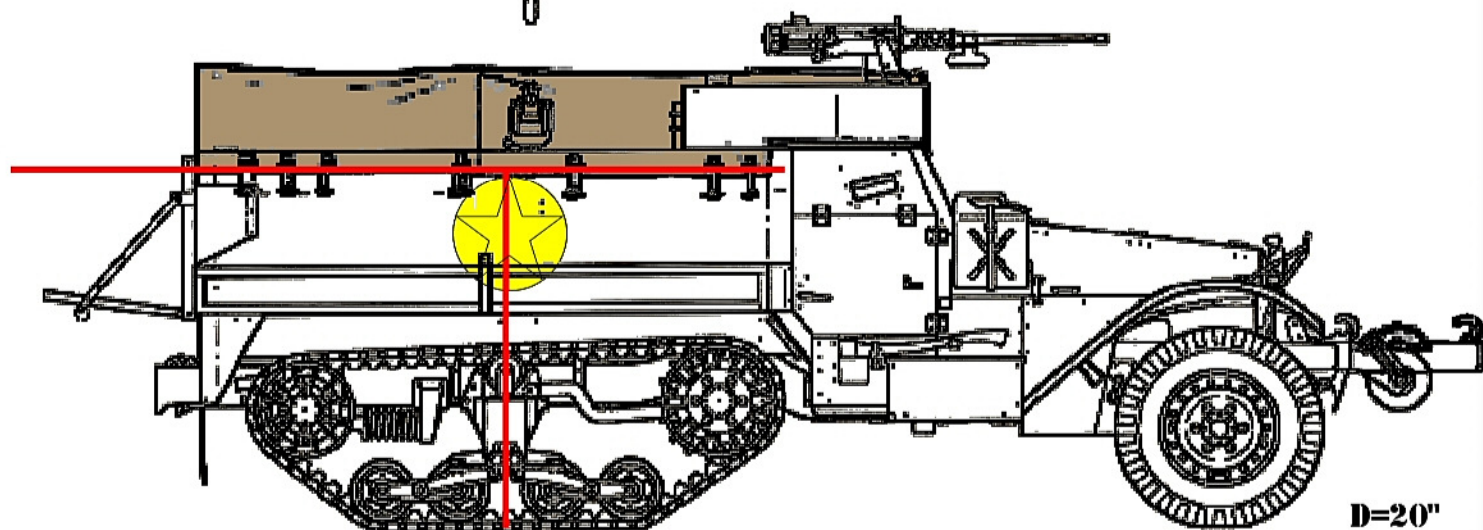


D=20"



D=36"



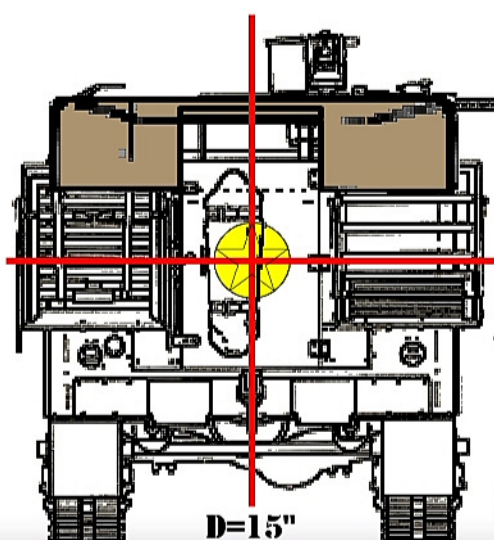
D=20"

**HALFTRACK
MARKING
AR 850-5
(1944 #10)**

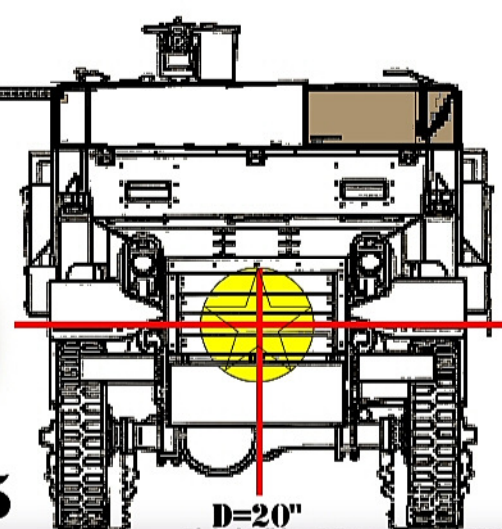


UNIT & VEHICLE MARKINGS
MILITARY EQUIPMENT

**A4 FORMAT
SCALE +/- 1:35**



D=15"



D=20"